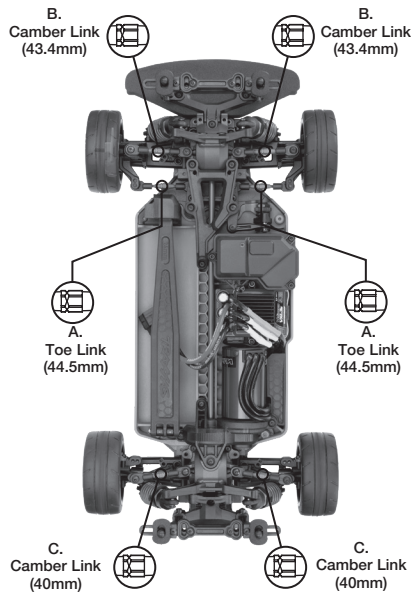




Accessory Turnbuckle Installation Instructions

Covers Parts #8341X, 8341G, 8341R, 8342, 8346, 8348



Left Hand Thread Indicators

All of the turnbuckles should be installed so that the left hand thread indicators point in the same direction. This makes it easier to remember which way to turn the wrench to increase or decrease turnbuckle length (the direction is the same at all four corners). Note that the groove in the hex indicates the side of the turnbuckle with the left-hand threads.

For replacement rod ends, use part #5349.

#8342, 8341X 8341G, 8341R	<p>A. Toe Link (left and right)</p> <p>Inner Outer</p> <p>The link without rod ends is 34mm long.</p>
#8346, 8341X 8341G, 8341R	<p>B. Front Camber Link (left and right)</p> <p>Inner Outer</p> <p>The link without rod ends is 32mm long.</p>
#8348, 8341X 8341G, 8341R	<p>C. Rear Camber Link (left and right)</p> <p>Inner Outer</p> <p>The link without rod ends is 28mm long.</p>

